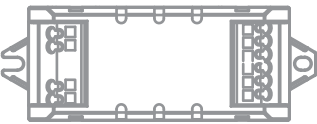
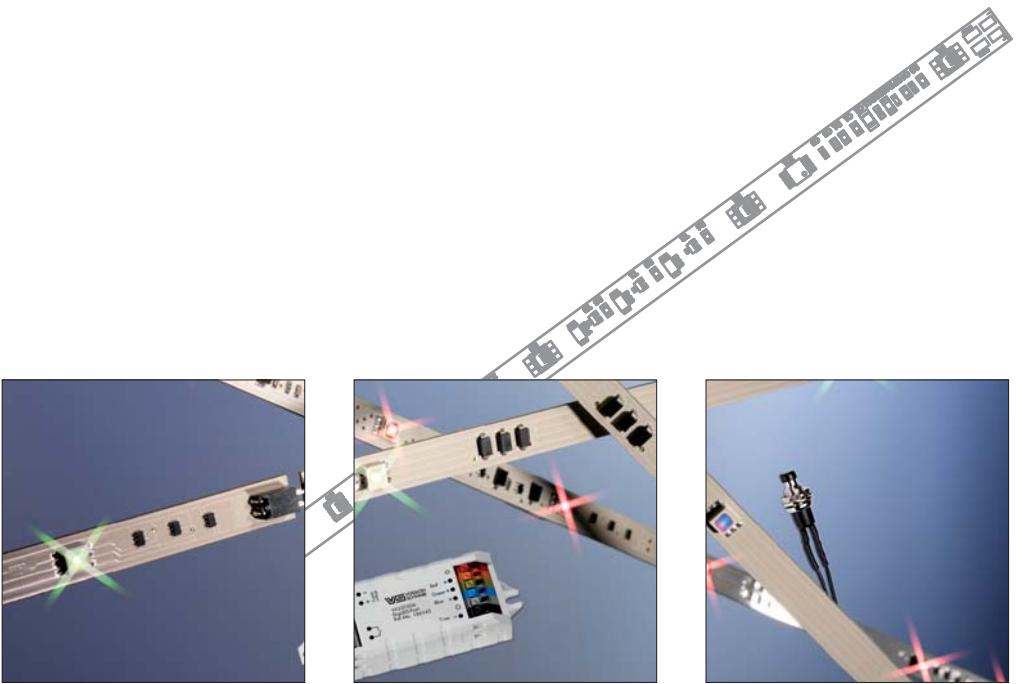


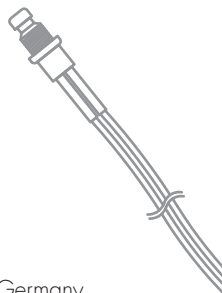


A New Lighting Experience



Simply Versatile – Full colour at the touch of a button

LED colour control made easy





Vossloh-Schwabe adds colour to your life

Vossloh-Schwabe proves how easy it can be to add more colour to your life. By providing a variety of functions at the touch of a single button, you can combine the pre-programmed colour sequences to create an almost endless array of lighting effects.

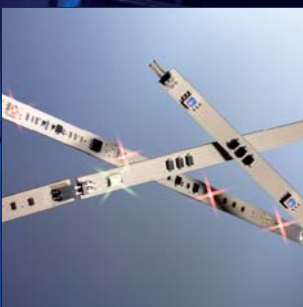
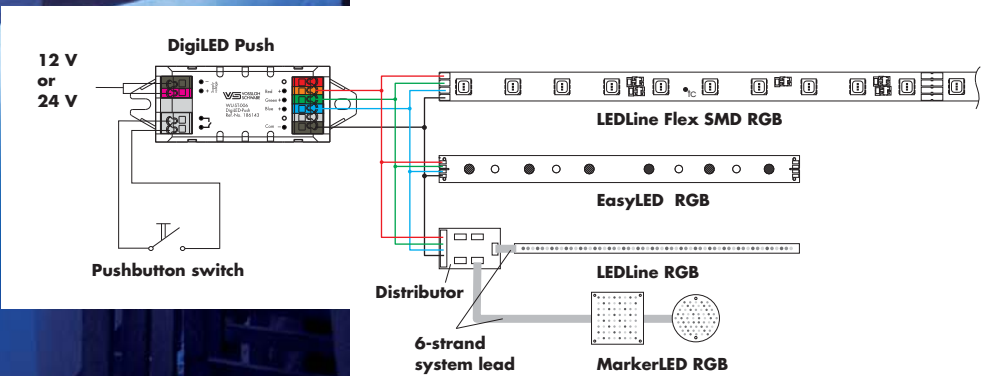
All you have to do is connect a commonly available push-button switch and off you go. The system is simply perfect for installation in furniture or for simple effect lighting.



DigiLED Push – Single-key colour control

DigiLED Push gives you complete colour control of RGB LED modules. Pre-programmed colour sequences can be controlled and individual colours addressed by connecting a commonly available pushbutton switch. What's more, DigiLED Push can be combined with 12V and 24V LED modules.

You therefore benefit from a simple yet compact method of ensuring full colour control: measuring only 83 x 30 x 19 mm, DigiLED Push is not only space-saving in design, but can be combined with a large number of Vossloh-Schwabe RGB modules.



LEDLine RGB Push – LED module with integrated colour control

Fitted with its own on-board colour control unit, the LEDLine RGB Push line module requires no additional colour control device to function. Colour sequences can be started, stopped and altered in terms of speed with just a single external pushbutton switch.

Individual LEDLine RGB Push units are 60 cm in length and can be combined in groups of three to a maximum length of 1.8 m by simply connecting the slaves to the master module. RGB line modules of this kind are ideal for installation in furniture or to achieve linear lighting effects.