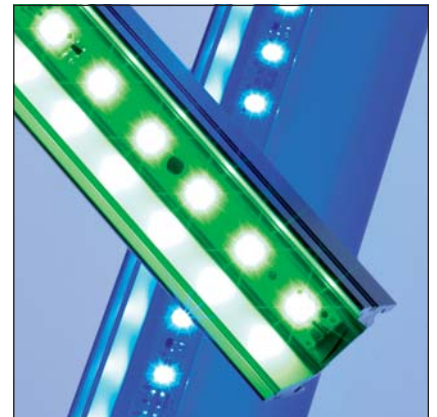




A New Lighting Experience



- easy installation of LED components
- optimal thermal design
- homogeneous light distribution

LED Assembly Kit

Typical Applications

Installation components for decorative illumination in

- Museums
- Hotels
- Shops
- Restaurants and Bars

Vossloh-Schwabe Deutschland GmbH

Hohe Steinert 8 · 58509 Lüdenscheid, Germany · Phone: +49 (0) 23 51/101-0
Fax: +49 (0) 23 51/101-217 + -384 · www.vossloh-schwabe.com

LED Assembly Kit

Lighting solutions involving state-of-the-art LED technology can be easily and safely implemented using VS' LED Assembly Kit.

The components contained in the LED Assembly Kit are designed for use by luminaire manufacturers and enable numerous combinations of VS LED modules and VS converters. As the VS LED Assembly Kit is compliant with IP20 protection, the converters for the LED modules must be rated as a SELV power supply. Technical details on VS LED converters can be found at www.vs-optoelectronic.com. The LED Assembly Kit is available in two lengths and with two different attachments (transparent and milky white).



The following VS LED built-in modules can be used:

- LEDLine Flex HighBrightness (WU-M-359)
- LEDLine Flex SMD (WU-M-266)
- EasyLED (WU-M-308, -309 or WU-M-335, -336)

Quantity of LED assembly modules

Module WU-M	Colour	Frame 537561 (1030mm)	Frame 537562 (2060mm)
266	red, yellow, RGB	6 x 171 mm	12 x 171 mm
266	white, green, blue	12 x 85.5 mm	24 x 85.5 mm
359	all	6 x 171 mm	12 x 171 mm
EasyLED	all	5 x 200 mm	10 x 200 mm

Frame

Material: Al6063 T5 / E6/EV1, matt silver

Dimensions (LxWxH): Lx30x26 mm

Ref. No.: 537561 length: 1030 mm, 0.7 kg

Ref. No.: 537562 length: 2060 mm, 1.4 kg

Attachment

Material: PMMA

Dimensions (LxWxH): Lx27.3x9.2 mm

Transparent

Ref. No.: 537563 length: 1030 mm

Ref. No.: 537564 length: 2060 mm

Milky white

Ref. No.: 537565 length: 1030 mm

Ref. No.: 537566 length: 2060 mm

Installation Material

End caps, material: POM, black

Ref. No.: 537568 without logo

Ref. No.: 539163 with VS logo

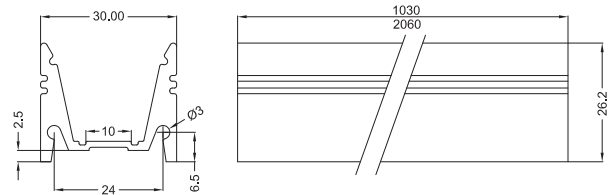
Attachment clips, material: POM, black

Ref. No.: 537569

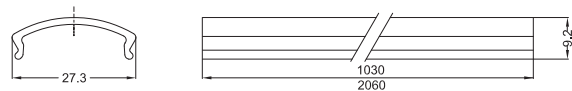
Ref. No.: 537723 end clip

Adhesive film, material: 3M 7953 MPL

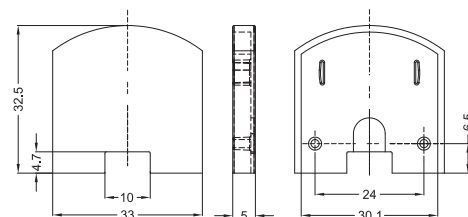
Ref. No.: 543085 515x9.5x0.2 mm



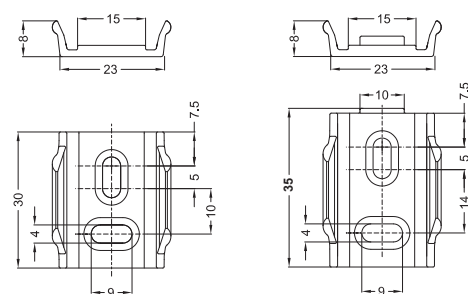
Frame



Attachment

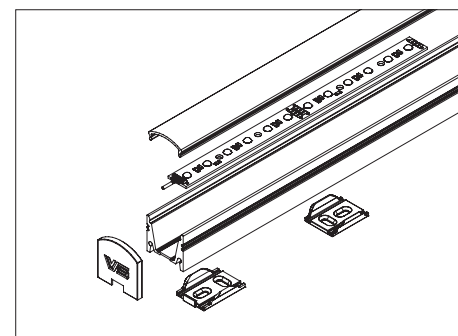


End Cap



Clip 537569

End Clip 537723



The values contained in this data sheet can change due to technical innovations. Any such changes will be made without separate notification. Please find further detailed information at www.vs-optoelectronic.com.